



\* 65 inch



\* All images are for illustrative purposes only.

**Interactive Digital Board** TR3DJ Series

# True Interactivity for Bringing People Together



Genuine Touch & Writing Experience



Easy Connection & Sharing



User Friendly Experience



Security & Compatibility

## TR3DJ SERIES

### Compatible with Various OS

- Android, iOS, Windows, Chrome

### Wireless Screen Mirroring from / to Devices

- Two Way Communication
- Up to 6 Devices on Display
  - Direct Sharing Annotation & Files

### Excellent Writing Experience

- Note Software Embedded
  - Nearly no Gap from Glass with Direct Bonding



### Professional Annotation Tool

- Writing on any Sources
- Redo and Undo of Annotation

### Embedded Android 8.0 OS

- Free Embedded Applications
- Note, Web Browser, Screen Share Pro

### Enhanced Security

- Keep Your Contents to Be Secured with Secure Mode and USB Block Mode

## TR3DJ SERIES FEATURES



4K Resolution (UHD)  
OSD (On Screen Display)



Multi Touch 20



Nearly No Air Gap



Energy Efficient  
(DPM, EU ErP Compatible)



Anti-glare /  
Tempered Glass



Screen Mirroring



OTA (Over the Air)  
CS only



Enhanced Security



Integrated Speaker  
and Wi-Fi Dongle



HDMI-out  
(RGB, Android, OPS)



Upgraded HW Reliability

## GENUINE TOUCH & WRITING EXPERIENCE



### Multi Touch & Writing

The TR3DJ series can simultaneously use up to 20 points of multi touch. This function offers a lifelike board writing experience and makes collaboration much easier.

## EASY CONNECTION & SHARING



### ScreenShare Pro Upgrade

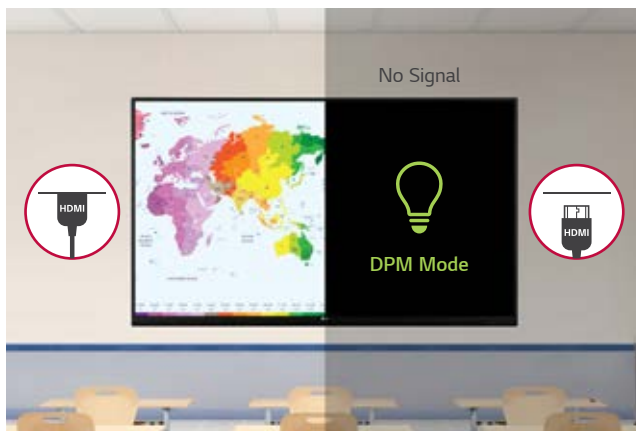
With the newly upgraded ScreenShare Pro, which enables to show a maximum of six shared screens or a file on a screen in real-time, it has enhanced usability by allowing users to share Chromecast mirroring on the same network without any application.



### Air Class

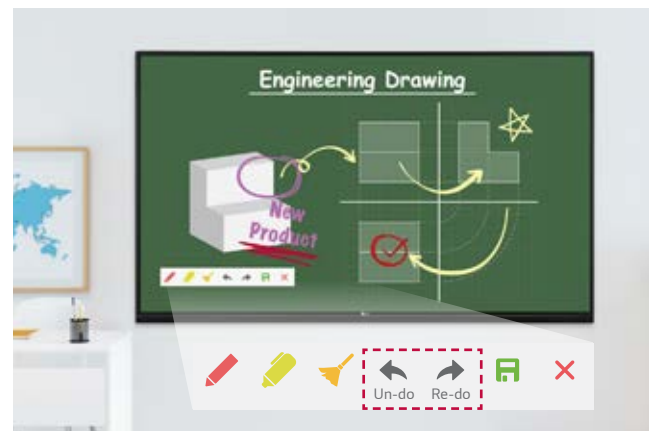
Air Class supports connecting up to 30 students and offers interactive meetings for all mobile devices on the same network, providing a variety of tools such as voting, answering, and sharing project texts.

## USER FRIENDLY EXPERIENCE



### DPM (Display Power Management)

By activating DPM function, the display can be set to be on only when there is an input signal, which enables more efficient power management.



### Annotation Upgrade

At annotation tool mode, 'Un-do' and 'Re-do' functions provide enhanced user experience. (Annotation tool can be used on any source.)



### Web Browser

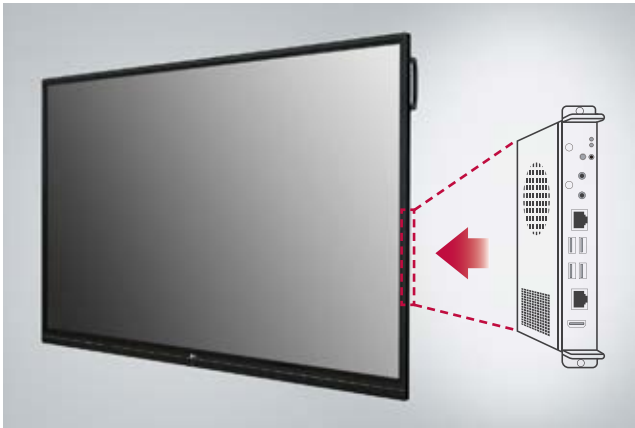
The TR3DJ series supports the web browser in the Android OS, so you can search the web easily and quickly, without connecting to an external desktop.



### All-in-One

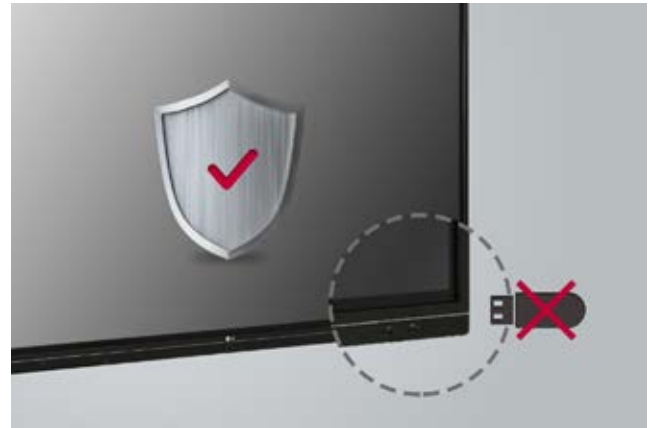
The TR3DJ series integrates both Android OS and Free apps into a high performance SoC, without a PC.

## SECURITY & COMPATIBILITY



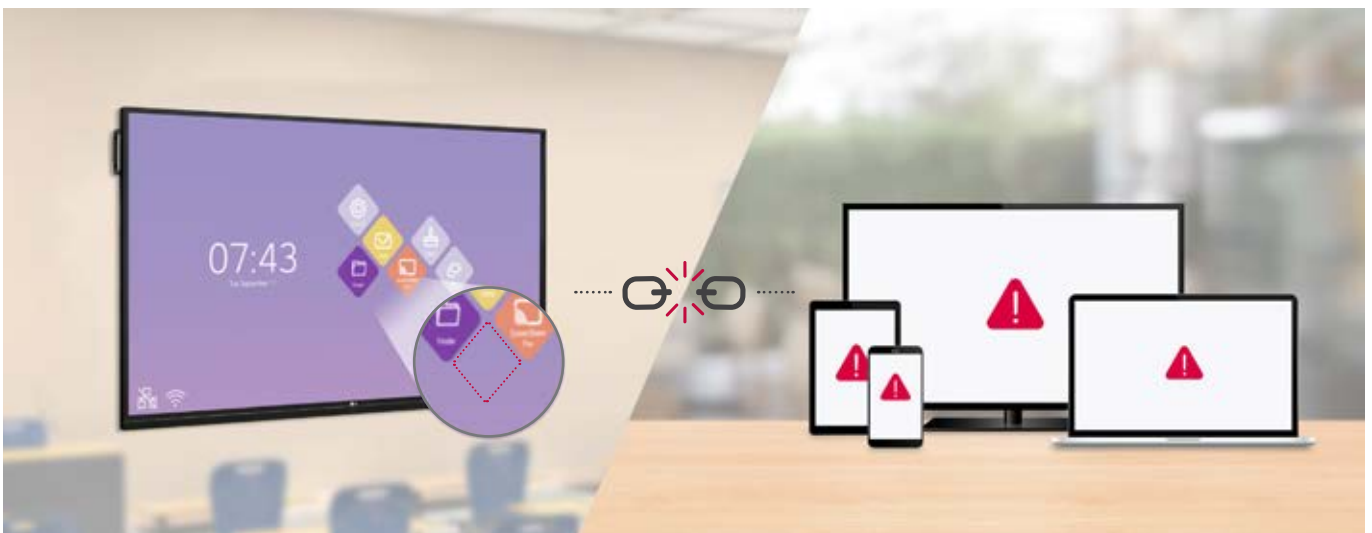
### Built-in OPS Slot

The TR3DJ series supports OPS slots, allowing you to easily and conveniently mount OPS desktop at the back of the digital board without the hassle of connecting to an external desktop, offering you more expanded functions.



### USB Block

The USB Block Mode that helps secure and prevent data from being copied into unauthorized devices in advance, which is essential for being used in space where security is critical.



### Secure Mode

Secure Mode blocks unauthorized contents to be shown via sharing screen function in various devices. The preloaded applications related to share screens will be hidden from menu. Secured mode disables screen mirroring options for SSP (Screen Share Pro). It helps prevent unauthorized access to your IDB.

## USER CONVENIENCE



### Partial Capture

Users can select the desired area of the screen to crop the image and store that in internal memory. Also, TR3DJ allows that send cropped images directly to email or note apps.



### Bluetooth Connectivity

TR3DJ supports Bluetooth to connect wirelessly to various devices such as speaker, mouse, keyboard, etc. This is optimized for building a hybrid environment so that online and offline meeting and class can proceed without problems.



### PIP Support

PIP function enables IDB to display multiple kinds of content while the android content remains in view. So it is possible to see and work on multiple tasks with additional input.



### Real-time ConnectedCare Service

Maintenance is easy and fast with the optional ConnectedCare\* service, a cloud service solution provided by LG. It remotely manages the status of displays in client workplaces for fault diagnosis and remote-control services, ensuring the stable operation of clients' businesses.

\* PIP function is provided in app form.

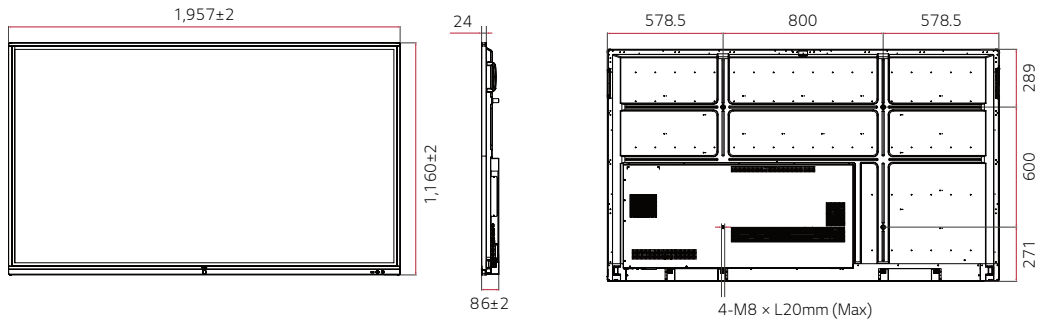
\* It can only be changed to the specified size.

\* The availability of the "ConnectedCare" service differs by region, so please contact the LG sales representative in your region for more details.

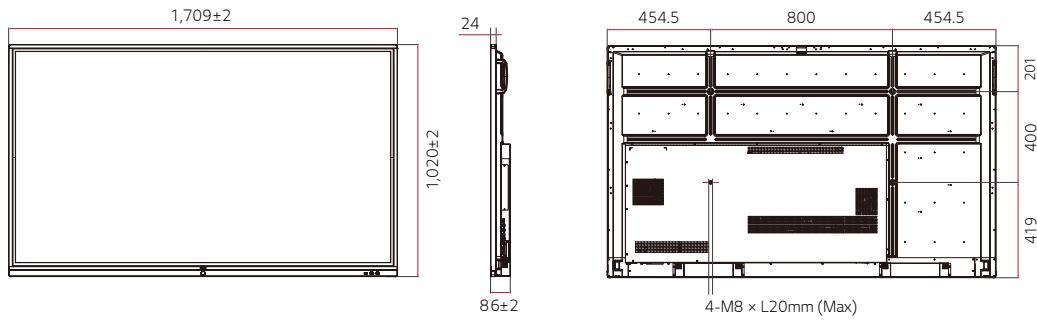
## DIMENSION

(unit: mm)

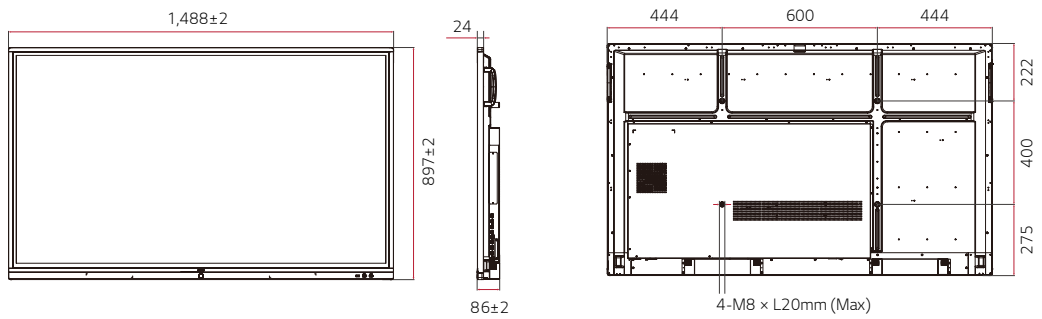
86"



75"



65"

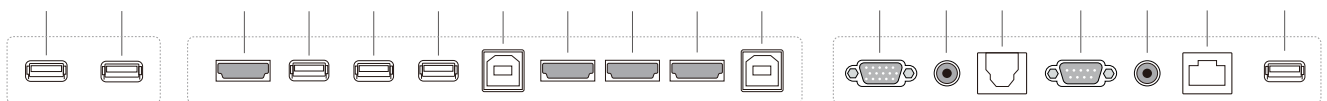


## CONNECTIVITY

Front

Side

Bottom



- |            |               |               |              |             |
|------------|---------------|---------------|--------------|-------------|
| ① USB 2.0  | ④ TOUCH OUT 1 | ⑦ HDMI IN 3   | ⑩ AUDIO IN   | ⑬ AUDIO OUT |
| ② HDMI OUT | ⑤ HDMI IN 1   | ⑧ TOUCH OUT 2 | ⑪ SPDIF      | ⑭ LAN       |
| ③ USB 3.0  | ⑥ HDMI IN 2   | ⑨ VGA         | ⑫ RS-232C IN |             |

\* Dimensions & Jack Panels may differ from the above image, so please contact LG sales team to verify before ordering.

## SPECIFICATIONS

	Model	86TR3DJ	75TR3DJ	65TR3DJ
Panel	Screen Size	86"	75"	65"
	Panel Technology	IPS		
	Aspect Ratio	16:09		
	Native Resolution	3,840 x 2,160 (UHD)		
	Backlight Unit Type	Direct		
	Brightness (cd/m <sup>2</sup> )	350nit (w/Glass type)		
	Contrast Ratio	1200:1		
	Response Time	8ms (GtoG)	9ms (GtoG)	
	Orientation	Landscape		
Connectivity	Input	HDMI (3), RGB / Audio In		
	USB	USB 2.0 (3, Front : 2, Bottom side: 1, Only for software update), USB 3.0 (3), Touch Out (USB2.0,B Type) (2)		
	External Control	RS232C In, RJ45		
Mechanical Specification	Bezel Color	Black		
	Bezel Width	Top/Right/Left:18.9mm, Bottom:45.7mm		
	Monitor Dimension (W x H x D)	1,957x1,160x86mm	1709 x 1020 x 86mm	1488 x 897 x 86mm
	Weight (Head)	67kg	53Kg	38.75Kg
	Carton Dimensions (W x H x D)	2112x280x1283mm	1860x280x1140mm	1628x208x1005mm
	VESA	800 x 600	800x400	600x400
Environmental Conditions	Operation Temperature	0 °C to 40 °C		
	Operation Humidity	10 % to 80 %		
Power	Power Supply	100-240V~, 50/60Hz		
	Power Type	Built-In Power		
	Consumption Typ. / Max.	370 W/ 500 W	260 W/ 350 W	180 W/ 300 W
Certification	Safety	CB / NRTL		
	EMC	FCC Class "A" / CE		
	ErP /	Yes		
Touch	Available object size for touch	Ø3 mm ↑		
	Reponse Time	60ms ↓ (Android) 100ms ↓ (Windows)		
	Accuracy	±2mm		
	Interface	USB2.0		
	Protection Glass Thickness	4T (Anti-Glare)		
	Protection Glass Transmission	87%		
	Operating System Support	Windows 7/8/10/WindowsXP/Linux/Mac/Android (WindowsXP/Linux/Mac Support one point touch)		
	Multi touch point	Max 20 Points		

As a continuing policy of product development at LG Electronics, the design and specifications are subject to change. They may vary from model to model, Colour/shades may vary due to printing restrictions, E&OE.



**LG B2B CUSTOMER CARE**  
 1800-180-9898 (Toll Free)  
 5757554 (Send SMS)  
[www.lg.com/in/support](http://www.lg.com/in/support)



LG Service India Mobile App Available at  
 Google Play



[www.facebook.com/lgindiapage/](https://www.facebook.com/lgindiapage/)  
[www.twitter.com/LGIndia](https://www.twitter.com/LGIndia)

To know more about LG, visit [www.lg.com/in](http://www.lg.com/in)  
 For B2B Solutions/Product enquiries, please write to [b2b.solutions@lge.com](mailto:b2b.solutions@lge.com)  
 For B2B Service, please write to [b2bsupport.india@lge.com](mailto:b2bsupport.india@lge.com)

