

# Smart Commercial TV

## LU640H

LG Smart Commercial TVs are designed specifically for business environments equipped with various smart features like Web-browser, pre-loaded apps, Screen Share and Smart Share. This is also a STB (Set Top Box) built-in TV with a CAM (Conditional Access Module) card which integrates all STB functions.

49 inch



## Smart Commercial TV for business environment

### LU640H

#### Enriched Smart Content and Built-in Speakers



##### Pre-loaded apps

Customers can easily access to various content via pre-loaded YouTube app, web browser as well as live channel.



##### 35W Powerful Sound with Woofer(2.1 ch.)

This model is furnished with 2.1 ch. Woofer providing 35W Powerful Sound. The feature allows user to experience special sound systems & better sound quality.



\* 49 inch : 20W, 2.0ch

\* 43/32 inch : 35W, 2.1ch

# Smart Commercial TV for business environment

## LU640H

### Easy Management & Usability

#### Easy Operation

It is available control several devices with only one unit of LG Remote Control.

Nomal TV



+

VS

LG Hotel TV



2 Remote (TV+DTH)

1 Remote (TV)

#### No Messy Wire Connection

Since the TV is equipped with a CAM card, the product does not require additional STB. Consequently, there is no HDMI cable from STB to TV. Less wire, thus easier TV management!



Dish Antenna

Cable



Module

Power Cable



LG Hotel TV

- \* HDML cable unnecessary (No signal Loss)
- \* Less Wire required
- \* DTH Services Provider - Bharti Airtel Ltd. Subscription/Installation Charges / T&C apply

#### Less Power Consumption

Hotels can manage more easily with less devices and less power consumption.

Nomal TV



2 Device (TV+STB)  
More Power Consumption

VS

LG Hotel TV



1 Device (TV)  
Less Power Consumption



# Smart Commercial TV for business environment

## LU640H

### Value Added Features

#### WebOS 3.5

This is LG Smart TV with webOS. Explore the latest LG Smart TV features, and discover TVs that deliver innovative technology, remarkable clarity, and true-to-life colors.



webOS

#### Commercial App

Guests can be served with pre-loaded applications, including Youtube and others.



#### LG Sound Sync

Through a wireless connection, guests can listen the sounds of the LG Smart hospitality TVs using Bluetooth devices such as Bluetooth Speaker and headset. It helps guests to have their own spaces without disturbing other guests.



# Smart Commercial TV for business environment

## LU640H

### Value Added Features

#### Hotel Mode

Be in total control with Hotel Mode. Have the capability to change every TV setting, or reset to default in every room.



#### Smart Share

Smart Share allows users to share content more easily and quickly. It also searches for the content they want in order to share it more easily and accurately, there by simplifying the process of sharing between various devices.



#### Screen Share

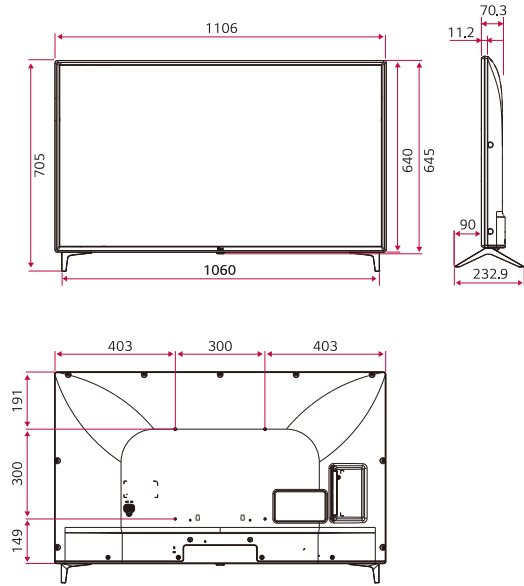
Connect a smartphone or a laptop PC to TV via a Wi-Fi Direct connection. The TV will display the device's screen, and users can share their content and memories together.



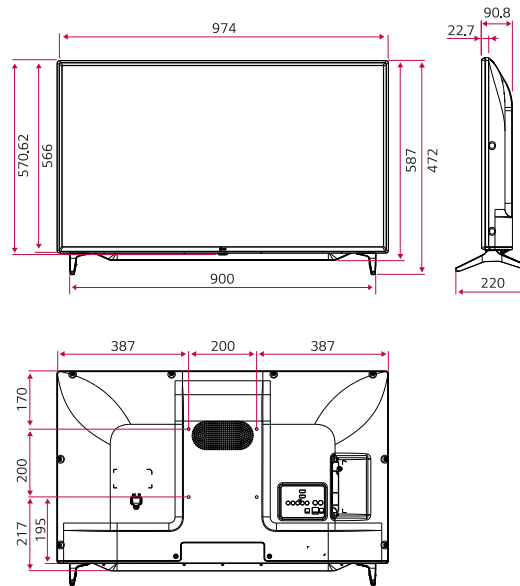
\* Actual In-screen image may be little different.

# Dimension

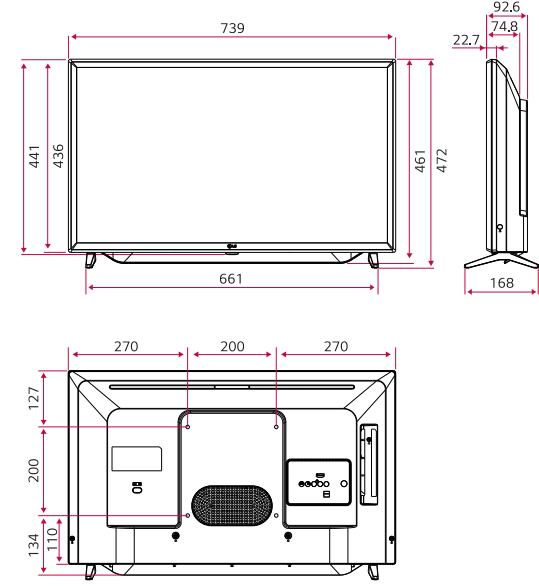
49



43

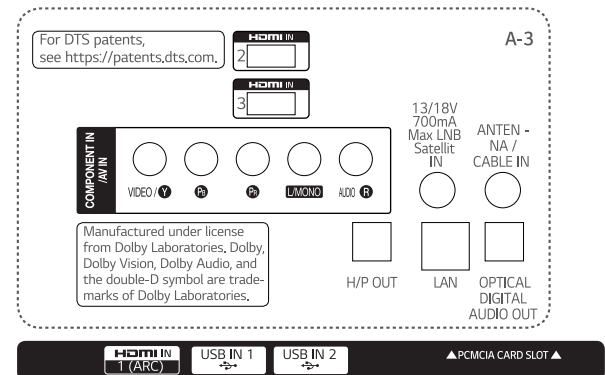
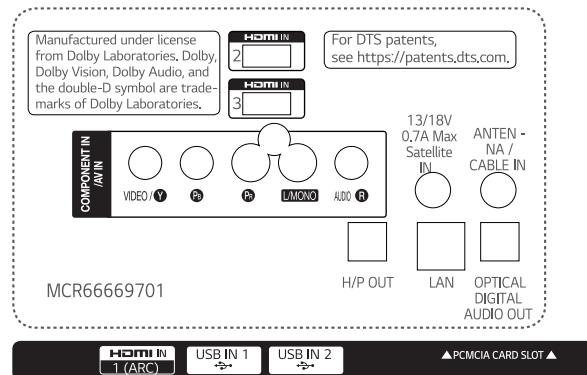
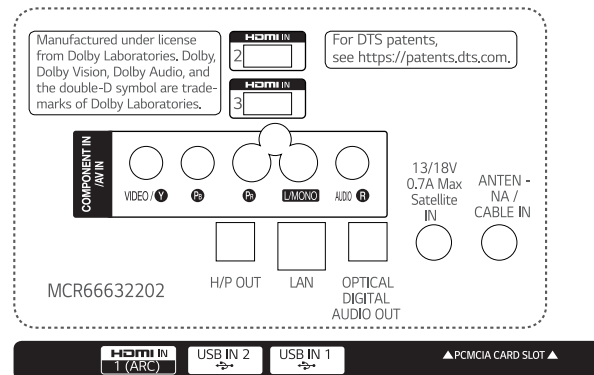


32



# Connectivity

49 / 43 / 32



\* Dimensions & Jack Panels (Read/Side) may differ from the above image, so please reach LG salesteam to ensure before order.

# Specifications

		49LU640H	43LU640H	32LU640H
LCD PANEL SPECIFICATION	Inch	49	43	32H
	Backlight Type	LED (Direct)	LED (Direct)	LED (Direct)
	Resolution	1,920 x 1,080 (FHD)	1,920 x 1,080 (FHD)	1,366 x 768 (HD)
	Brightness (cd/m <sup>2</sup> )	400	400	240
	Dynamic Contrast Ratio (Dynamic MCI (Hz))	1,000,000:1	1,000,000:1	1,000,000:1
	Static (Panel) Contrast Ratio	1,100: 1	1,200:1	1,200:1
	Viewing Angle Degree	178 x 178	178 x 178	178 x 178
BROADCASTING SYSTEM	Analog	• (PAL/SECAM)	• (PAL/SECAM)	• (PAL/SECAM)
	Digital	DVB-T2/C	DVB-T2/C	DVB-T2/C
VIDEO	XD Engine	•	•	•
	Aspect Ratio	• 5 modes (16:9, Original, 4:3, Vertical Zoom, All-Direction Zoom)	• 5 modes (16:9, Original, 4:3, Vertical Zoom, All-Direction Zoom)	• 5 modes (16:9, Original, 4:3, Vertical Zoom, All-Direction Zoom)
MECHANICAL SPECIFICATION	Color	Havana Brown	Havana Brown	Black
	Audio Output	20 W	35 W	35 W
	Speaker System	2,0 ch	2,1 ch	2,1 ch
	Sound Mode	• 6 modes (Standard, Cinema, Clear Voice III, Cricket, Music, Game)	• 6 modes (Standard, Cinema, Clear Voice III, Cricket, Music, Game)	• 6 modes (Standard, Cinema, Clear Voice III, Cricket, Music, Game)
	Clear Voice	• (Clear Voice III)	• (Clear Voice III)	• (Clear Voice III)
SMART FEATURE	Commercial Smart UX	• (webOS 3.5)	• (webOS 3.5)	• (webOS 3.5)
	Commercial Smart Home	•	•	•
	Web Browser	•	•	•
	Connectivity	• / •	• / •	• / •
	Screen Share / Smart Share	•	•	•
JACK INTERFACE	HDMI In	1 (1.4)	1 (1.4)	1 (1.4)
	Set Side	USB	2 (2.0)	2 (2.0)
	CI Slot	1	1	1
	RF In / AV In	2 / 1 (Share with Component)	2 / 1 (Share with Component)	2 / 1 (Share with Component)
	Component in (Y,Pb,Pr-Video)	1 (RCA5 Type)	1 (RCA5 Type)	1 (RCA5 Type)
	Set Rear	Digital Audio Out (Coaxial / Optical)	1 (Optical)	1 (Optical)
	HDMI/ HDCP Input	2 (1.4)	2 (1.4)	2 (1.4)
	Headphone Out	1	1	1
DIMENSION (UNIT : MM)	W x H x D / Weight (with stand)	1,107 x 701 x 235 / 11.4kg	974 x 625 x 220 / 10.3kg	739 x 472 x 168 / 5.9kg
	Weight (Packing, Kg)	1,193 x 770 x 158 / 13.5kg	1,075 x 660 x 175 / 12.2kg	812 x 520 x 162 / 7.2kg
POWER (UNIT : WATTS)	Voltage, Hz	100 - 240V, 50/60Hz	100 - 240V, 50/60Hz	100 - 240V, 50/60Hz
	Max	110	97	60
	Typical	68	59	36
	Energy saving (Min/Med/Max)	50.6 / 35.1 / 18.0	44.8 / 32.1 / 17.9	28 / 20.8 / 12.9
	Stand-by	0.5W↓	0.5W↓	0.5W↓

As a continuing policy of product development at LG Electronics, the design and specifications are subject to change. They may vary from model to model. Colour/shades may vary due to printing restrictions. E&OE.



**B2B CUSTOMER CARE**

1800-180-9898 (Toll Free)

5757554 (Send SMS)

[www.lg.com/in/support](http://www.lg.com/in/support)



LG Service India Mobile App Available at Google Play



[www.facebook.com/lgindiapage/](https://www.facebook.com/lgindiapage/)

[www.twitter.com/LGIndia](https://www.twitter.com/LGIndia)

To know more about LG, visit [www.lg.com/in](http://www.lg.com/in)

For B2B Solutions/Product enquiries, please write to [b2b.solutions@lge.com](mailto:b2b.solutions@lge.com)

For B2B Service, please write to [b2bsupport.india@lge.com](mailto:b2bsupport.india@lge.com)

